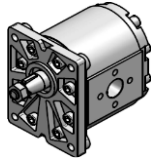
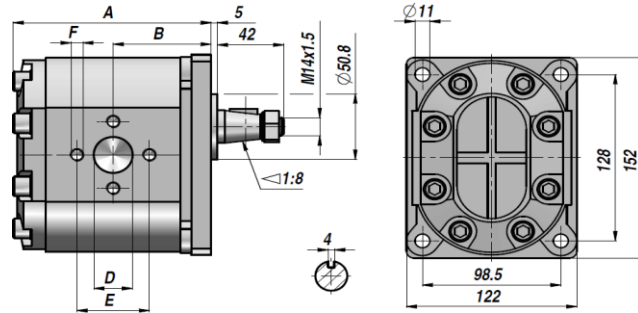


POMPA ZĘBATA  
GEAR PUMP

GR.3

PC-3



KOŁNIERZ EURO  $\phi 50.8$   
WALEK STOŻKOWY 1:8  
STANDARD EUROPEAN  $\phi 50.8$  FLANGE  
1:8 TAPER SHAFT

Kod Code	Typ Type	cm3/obr cm3/rev	P MAX bar		obri/min rpm		A	B	Ssanie Suction D x E x F	Tłoczenie Delivery D x E x F	kg
			P1	P3	MAX	MIN					
PC*322EAA1G	PC*322	22,00	200	250	3000	600	129	64	$\phi 20 \times 40 \times M8$	$\phi 20 \times 40 \times M8$	8,10
PC*326EAA1G	PC*326	26,00	200	250	3000	600	132	66	$\phi 22 \times 40 \times M8$	$\phi 20 \times 40 \times M8$	8,30
PC*333EAA1G	PC*333	34,00	200	250	3000	500	137	68	$\phi 27 \times 51 \times M10$	$\phi 27 \times 51 \times M10$	8,60
PC*339EAA1G	PC*339	39,00	200	250	3000	500	141	70	$\phi 27 \times 51 \times M10$	$\phi 27 \times 51 \times M10$	8,80
PC*342EAA1G	PC*342	43,00	200	250	2800	500	144	71	$\phi 27 \times 51 \times M10$	$\phi 27 \times 51 \times M10$	9,00
PC*350EAA1G	PC*350	51,00	200	250	2800	500	150	74	$\phi 27 \times 56 \times M10$	$\phi 27 \times 51 \times M10$	9,20
PC*360EAA1G	PC*360	60,00	180	230	2800	400	156	77	$\phi 33 \times 62 \times M10$	$\phi 27 \times 51 \times M10$	9,60
PC*371EAA1G	PC*371	70,00	175	200	2500	400	163	81	$\phi 33 \times 62 \times M10$	$\phi 27 \times 51 \times M10$	9,90

\* S = LEWE OBROTY - ANTICLOCKWISE  
\* D = PRAWY OBROTY - CLOCKWISE

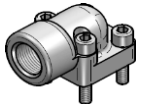
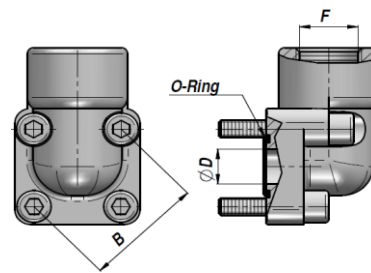
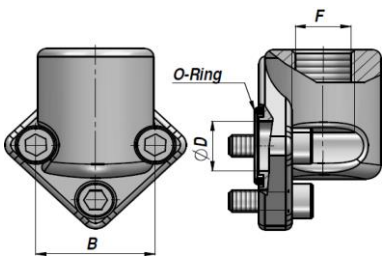
P1 = MAX. CIŚNIENIEI ROBOCZE - MAX. WORKING PRESSURE  
P3 = MAX. CIŚNIENIE SZCZYTOWE - MAX. PEAK PRESSURE

FLANSA KOLANOWA DO POMPY ZĘBATEJ  
90° ELBOW CONNECTOR FOR GEAR PUMP

AFRG

FLANSA KOLANOWA DO POMPY ZĘBATEJ  
90° ELBOW CONNECTOR FOR GEAR PUMP

AFR-B



BOSCH TYPE

Kod Code	F BSP	B	$\phi D$	O-Ring	kg
AFRG026060	3/8"	26	11.5	015	0,14
AFRG026080	1/2"	26	11.5	015	0,13
AFRG030060	3/8"	30	12	809	0,15
AFRG030080	1/2"	30	12	809	0,14
AFRG040080	1/2"	40	19	814	0,32
AFRG040120	3/4"	40	19	814	0,28
AFRG040121	3/4"	40	23.5	022	0,28
AFRG051120	3/4"	51	24	217	0,60
AFRG051160	1"	51	24	217	0,51
AFRG056160	1"	56	24	217	0,52
AFRG062200	1 1/4"	62	33.5	222	1,03
AFRG072240	1 1/2"	72	40	830	1,07

MATERIAŁ : STAL  
MATERIAL : STEEL

Kod Code	F BSP	B	$\phi D$	O-Ring	kg
AFRB030060 *	3/8"	30	12	809	0,10
AFRB030080 *	1/2"	30	12	809	0,09
AFRB035060 *	3/8"	35	12	116	0,11
AFRB035080 *	1/2"	35	12	116	0,11
AFRB040080 *	1/2"	40	19	814	0,18
AFRB040120 *	3/4"	40	19	814	0,17
AFRGB35060	3/8"	35	12	116	0,29
AFRGB35080	1/2"	35	12	116	0,27
AFRGB40080	1/2"	40	19	813	0,36
AFRGB40120	3/4"	40	19	813	0,35

MATERIAŁ : STAL - \* ALUMINIUM  
MATERIAL : STEEL - \* ALUMINIUM